



## Daily Cleaning Procedure

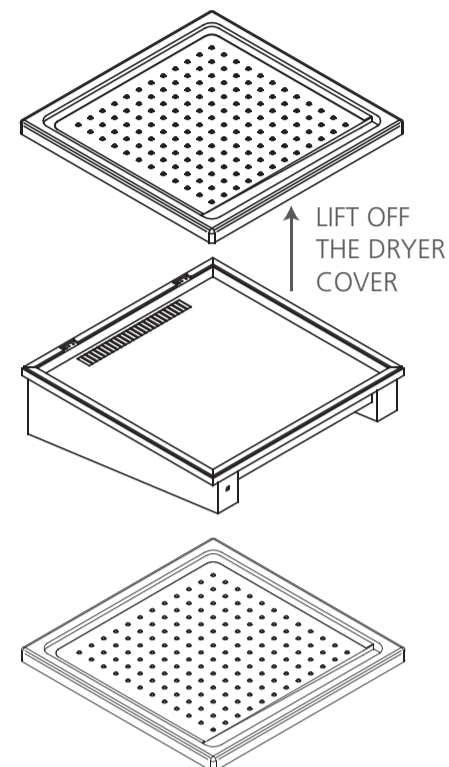
## AIRACK LITE Care Card

**STEP 1** Isolate the electrical supply and remove the Dryer Cover from the base.

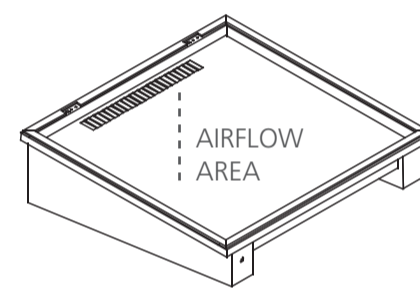
**STEP 2** Clean the top of the cover using a damp cloth. Clean the underside of the cover using a damp cloth, paying particular attention to the air nozzles and base matting surfaces.

**STEP 3** Clean the airflow area using a damp cloth.

**STEP 4** Reassemble the unit, reconnect the electrical supply and operate several cycles before use.



*Do not use proprietary cleaning agents. The odours will contaminate the glasses.*



## Cautionary Notes

- ✓ Always use a full load of glasses and place the basket centrally onto the Airack (top is recessed for location – Fig 1).
- ✓ Ensure the correct orientation of compartmented baskets. The glasses should be tilted forward to the front of the Airack (Fig 2).
- ✓ Never use the Airack for dregs, or liquid disposal.
- ✓ Never use the Airack for any other purpose other than drying glassware.

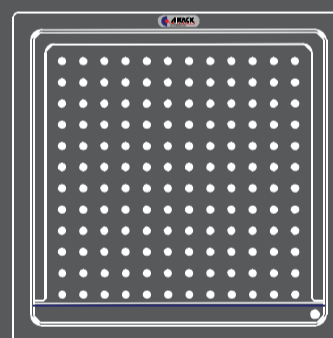


FIG 1

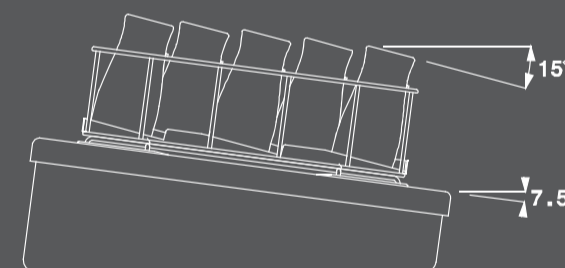


FIG 2

## Using The Airack Lite

**1** Switch on the power to the Airack.

**3** At the end of the drying cycle the unit will automatically switch off and will remain off until the timer is switched on again.

**2** Immediately after the washing process, place a full basket of glasses on top of the unit and rotate the timer to the desired time to start the drying cycle.

**4** When the drying cycle is complete, remove the basket of clean dry glasses for immediate use, or to storage.

## If You Require Help

✓ **Owners Manual**  
Refer to CD ROM for more information and advice



✓ **Service and Sales**  
Tel: 01933 666244



✓ **Website and Email**  
www.clenaware.co.uk  
info@clenaware.co.uk

