



## Daily Preparation

## SOVEREIGN Care Card

### STEP 1

Remove the TOP SPRAY ARM and clean using the same process as the BOTTOM SPRAY ARM.

### STEP 2

Remove the BOTTOM SPRAY ARM. Hold the arm under running water and flush through from the central hub. Check that water runs from all spray nozzles. If not, unclip and clear as necessary.

### STEP 3

Ensure that WASH NOZZLES (White) and RINSE NOZZLES (Blue) are attached to their appropriate arms.

### STEP 4

Remove and clean the TRAY and DRUM FILTERS, and check that the two DISC FILTERS are clear.

### STEP 5

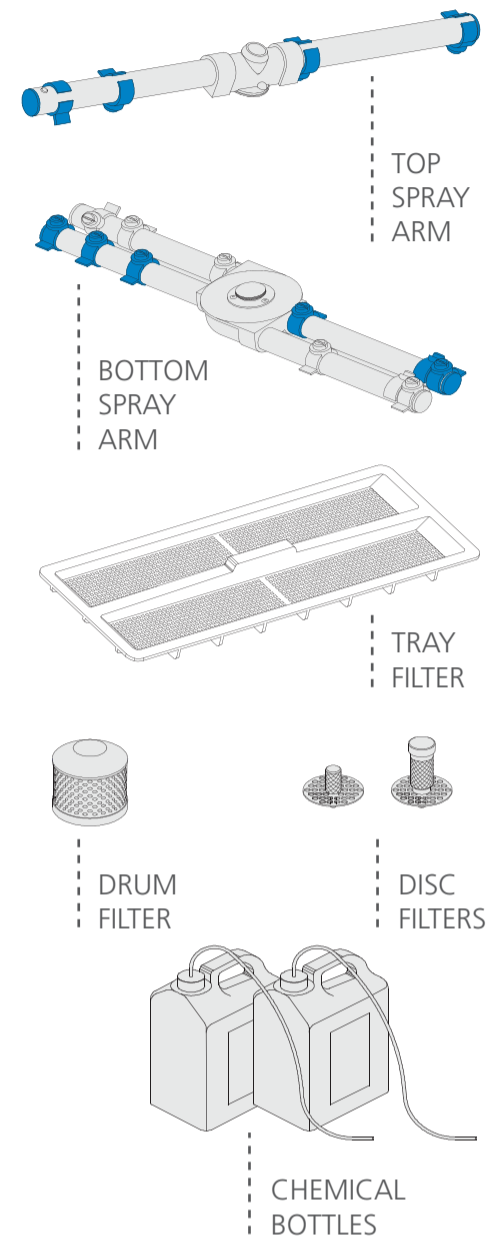
Check that the volumes in the CHEMICAL BOTTLES are sufficient. Check that the clear hose is feeding from the detergent bottle, and that the blue hose is feeding from the rinse aid bottle.

### STEP 6

Replace all the above fittings and ensure that the electrical and water supplies are turned on.

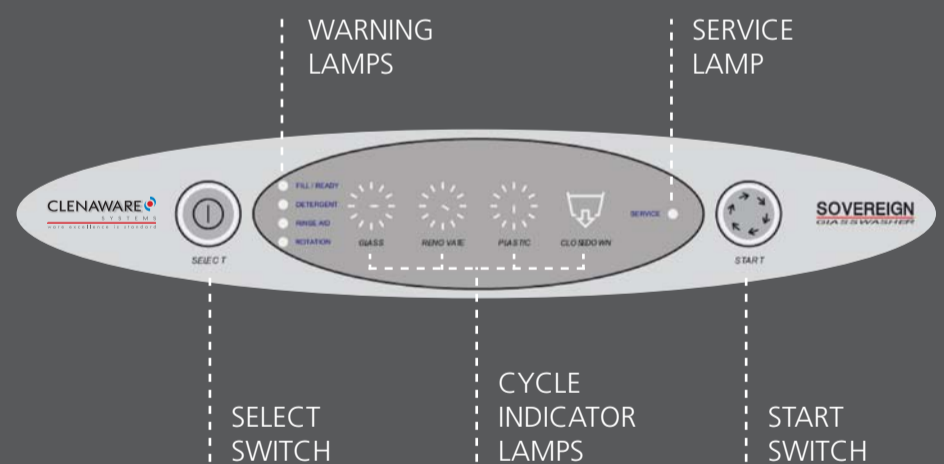
### STEP 7

Switch the machine on by pressing the **SELECT** Switch once. The machine will carry out a Fill / Heat sequence.



## Washing

- ✓ When the Fill / Ready Lamp shows green, the machine is ready to perform wash cycles.
- ✓ Press the SELECT Switch to choose the cycle.
- ✓ If a RENOVATE cycle is chosen, then add Renovate powder to the wash water (sprinkle on to the main filter).
- ✓ Press the START Switch to start a cycle.
- ✓ If Detergent / Rinse Aid Lamp shows Orange (normally green), replace chemicals. If Rotation Lamp shows Red (normally green), check spray-bar.
- ✓ If Service Lamp shows Red, then call an engineer.



## At The End Of A Working Session

1

With the door shut, select the Closedown cycle, and press the START Switch. (To Closedown during filling or whilst in cycle, press the SELECT Switch followed by the START Switch). Allow the machine to carry out its brief closedown sequence. At the end of cycle, the Select Switch will light red. DO NOT Switch off at the wall until end of cycle.

2

Isolate the electrical and water supplies.

3

Ideally, the machine door should be left ajar on completion of the closedown.

## If You Require Help

### ✓ Owners Manual

Refer to CD ROM for more information and advice



### ✓ Service and Sales

Tel: 01933 666244



### ✓ Website & Email

www.clenaware.co.uk  
info@clenaware.co.uk

